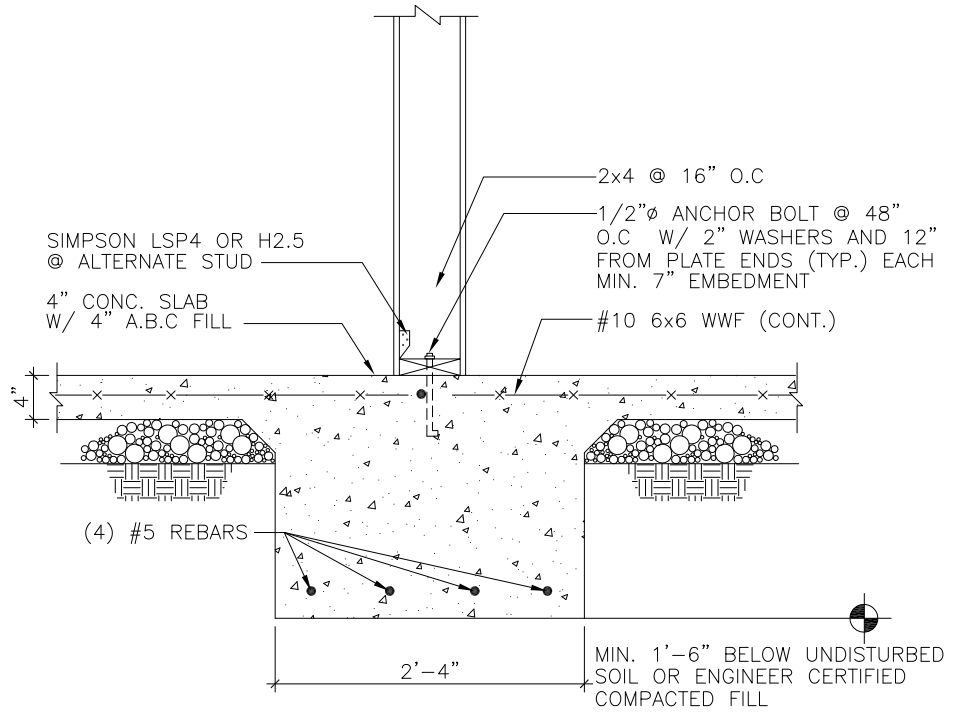
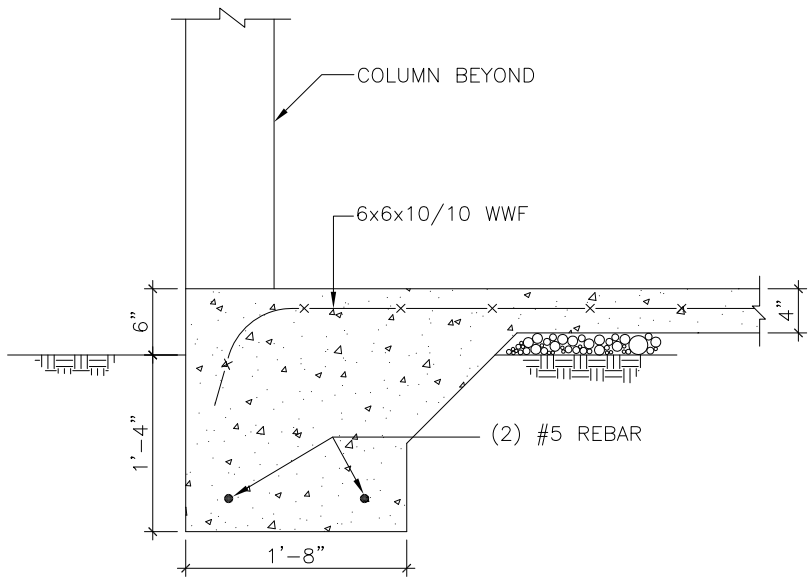


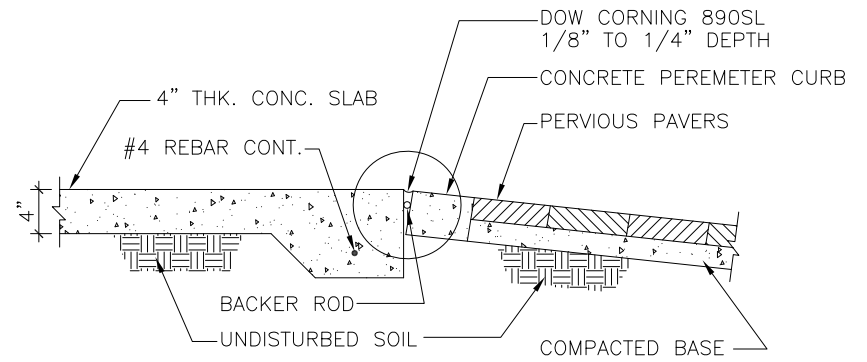
**(A)** EXTERIOR CMU GARAGE WALL & FOOTING  
SCALE : 1" = 1'-0"



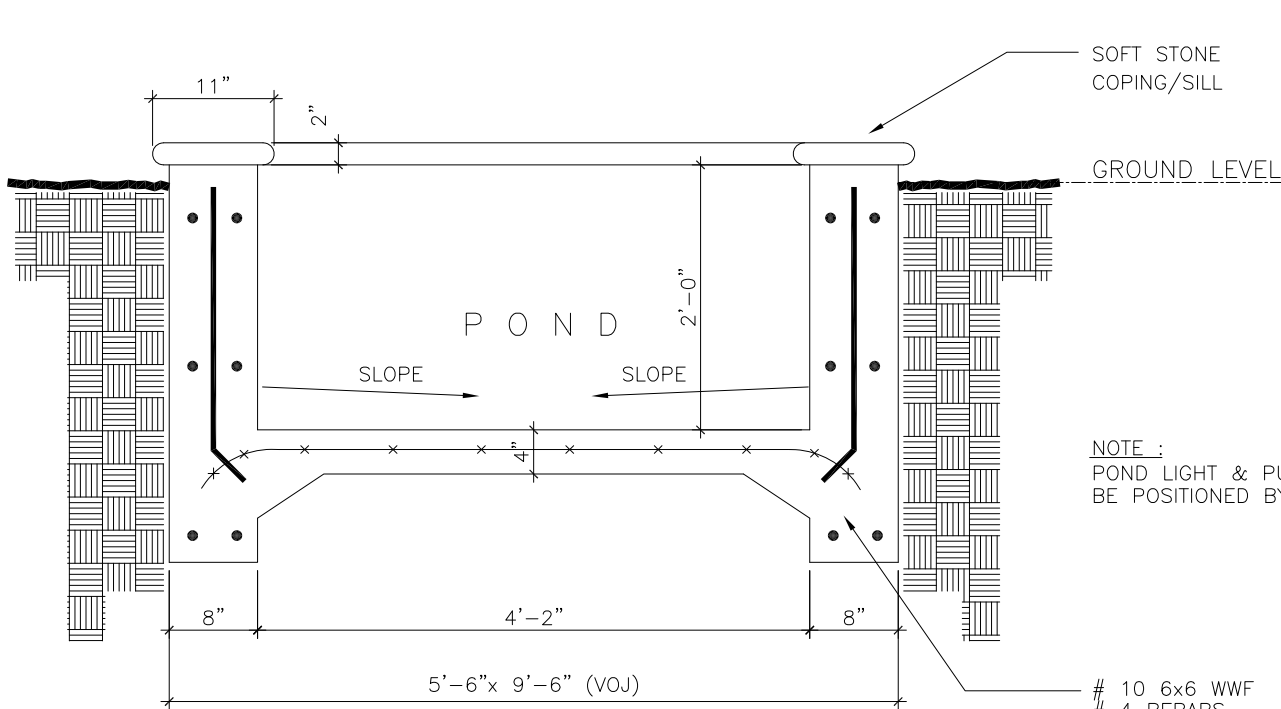
**(B)** INTERIOR BEARING WALL FTG.  
SCALE : 1" = 1'-0"



**(C)** EXTERIOR FOOTING @ OPENING  
SCALE : 1" = 1'-0"

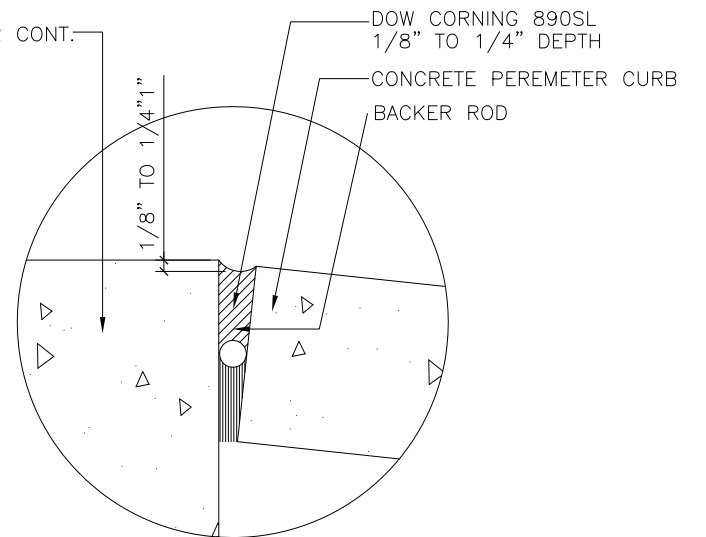


**(D)** TURN DOWN SLAB @ GARAGE  
SCALE : 1" = 1'-0"



NOTE :  
POND LIGHT & PUMP TO BE POSITIONED BY OWNER

# 10 6x6 WWF  
# 4 REBARS  
EMBEDDED IN  
3,000 PSI CONC.



**(E)** POND DETAIL  
SCALE : 1" = 1'-0"